

XD300V

OMNIDIRECTIONAL

- Broadband design
- Fiberglass radome and stainless steel hardware
- Customization available



mast mount interface



broadband design for low VSWR

ELECTRICAL

Frequency	85 ÷ 110 MHz
Input impedance	50 Ω
Polarization	linear vertical
VSWR	< 1.7 across band
Gain	2 dBi (maximum)
Half power beamwidth	360° (Az) × 78° (El)
Power rating	100 W cw
Lightning protection	DC grounded

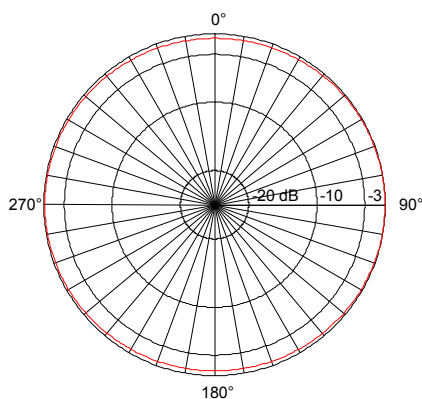
MECHANICAL

Connector	N-female
Dimensions	1680(H) × 40(Dia.) mm
Mass	3000 g
Wind loading	≈ 9.5 kg @ 150 km/h
Standard finish	white fiberglass radome, anodized aluminium base

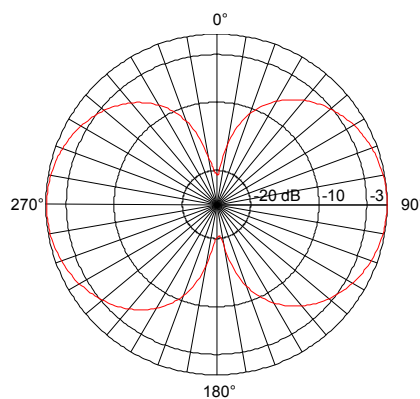
MOUNTING

Standard interface	stainless steel clamps
Mast diameter range	35 ÷ 70 mm

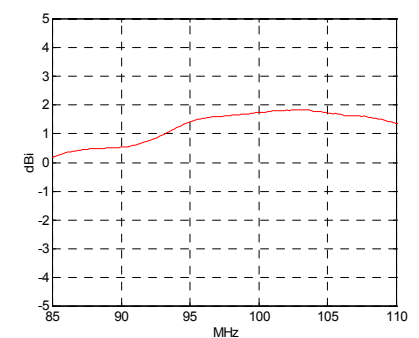
Azimuth pattern



Elevation pattern



Gain curve



Due to technical improvements, specifications provided in this data sheet may change without notice. Whilst every effort is made to ensure an high degree of accuracy to all specifications here reported, no responsibility can be accepted for any errors or omissions. Any reproduction, full or partial, of this document and its contents is not allowed without factory authorization.

Since **ElettroMagnetic Services** is specialized in development and production of custom antennas, if you need electrical and/or mechanical modifications of this product to meet a particular application or requirements, please feel free to contact us directly.

HEADQUARTERS

ElettroMagnetic Services srl
via S. Pertini, 6
26019 VAILATE (CR) - ITALY
Tel +39 (0) 363 84086
Fax +39 (0)363 341636
Email info@elettromagneticservices.com

Issued: 20.01.06
Updated: 19.09.16