

XD300VHP

ElettroMagnetic Services
SRL

OMNIDIRECTIONAL

- Broadband design
- Polycarbonate radome and stainless steel hardware
- 500 W (with N-f connector) and 1 kW (with 7/16-f connector) available versions



mast mount interface

ELECTRICAL

Frequency	88 ÷ 108 MHz
Input impedance	50 Ω
Polarization	linear vertical
VSWR	< 1.5 across band
Gain	2 dBi
Half power beamwidth	360° (Az) × 80° (El)
Power rating	500 or 1000 W cw
Lightning protection	DC grounded

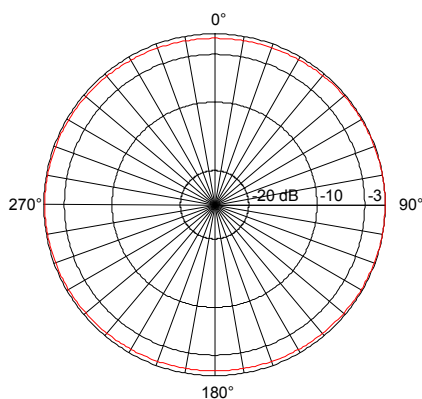
MECHANICAL

Connector	N-female or 7/16-female
Dimensions	2060 (height) × 110 (dia.) mm
Mass	6000 g
Wind loading	32 kg @ 150 km/h
Standard finish	RAL7035 polycarbonate radome, anodized aluminium side mount

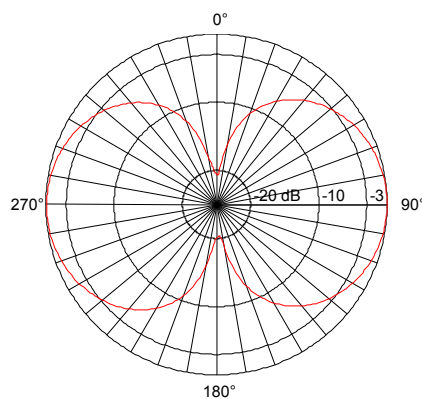
MOUNTING

Standard interface	stainless steel clamps
Mast diameter range	40 ÷ 70 mm

Azimuth pattern



Elevation pattern



Due to technical improvements, specifications provided in this data sheet may change without notice. Whilst every effort is made to ensure an high degree of accuracy to all specifications here reported, no responsibility can be accepted for any errors or omissions. Any reproduction, full or partial, of this document and its contents is not allowed without factory authorization.

Since *ElettroMagnetic Services* is specialized in development and production of custom antennas, if you need electrical and/or mechanical modifications of this product to meet a particular application or requirements, please feel free to contact us directly.

HEADQUARTERS

ElettroMagnetic Services srl
via S. Pertini, 6
26019 VAILATE (CR) - ITALY
Tel +39 (0) 363 84086
Fax +39 (0)363 341636
Email info@elettromagneticservices.com

Issued: 19.03.08
Updated: 10.10.16